

MICRO SWITCH

A DIVISION OF MINNEAPOLIS-HONEYWELL REGULATOR COMPANY
MINNEAPOLIS, MINNESOTA

FED. MFR. CODE 91929

SWITCH-BASIC

CATALOG LISTING

BA-2RV

ABN7000

BA-2RV
ISSUE 6

BA-2RV

PAGE 1 OF 1

M

DRAWING NUMBER

10 X

ISSUE 12

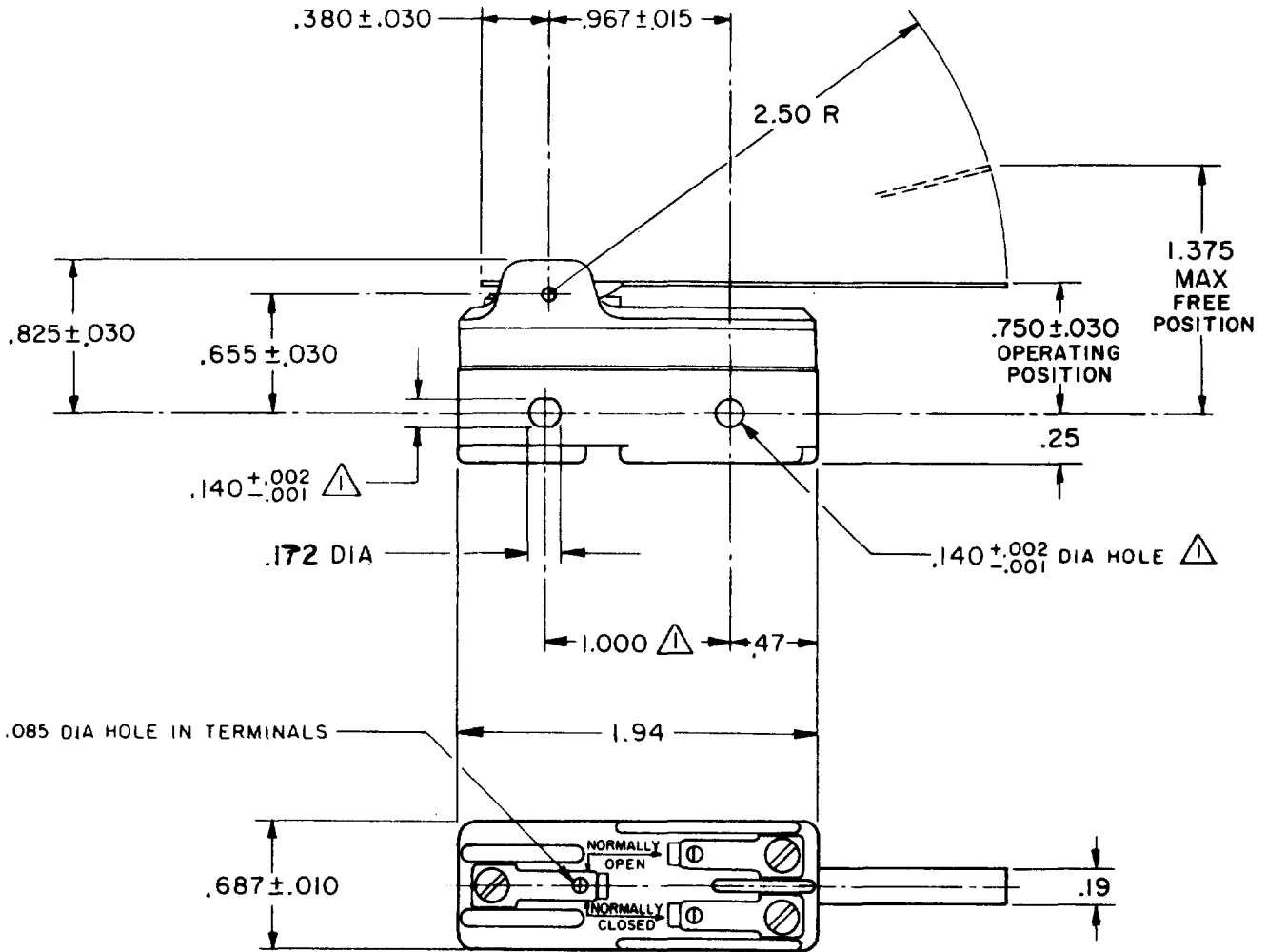
REPLACES

RELEASE NO.

CHECK

REVISIONS

A	CO 15663	DAW	12 JAN 62
B	CO34312	P 21 APR 73	18 JAN 06
C	CO 77590	SAD	10 JUN 94
D	CO93346	DLT	25 AUG 98
E	CO- 94212-C	DLT	20 SEP 99
F	0018387	TSG	18 JAN 06



NOTE
 ▲ MOUNTING HOLES WILL ACCEPT PINS OR SCREWS
 OF .139 MAX DIA ON 1.000 ± .002 CENTERS.

THIS DRAWING COVERS A PROPRIETARY ITEM AND IS THE PROPERTY OF MICRO SWITCH, A DIVISION OF MINNEAPOLIS-HONEYWELL REGULATOR CO. THIS DRAWING IS NOT TO BE COPIED OR USED WITHOUT THE APPROVAL OF MICRO SWITCH.

CHARACTERISTICS

OPERATING FORCE ----- 2 1/2 OZ MAX
 RELEASE FORCE ----- 1/2 OZ MIN
 PRETRAVEL ----- .625 MAX
 DIFFERENTIAL TRAVEL ----- .109 MAX
 OVERTRAVEL ----- .078 MIN

ELECTRICAL DATA

CONTACT ARRANGEMENT
 S P D T

L23

20A - 125, 250 OR 480 VAC
 10A - 125 VAC "L"
 1HP - 125 VAC, 2HP - 250 VAC
 1/2A - 125 VDC, 1/4A - 250 VDC

L288
 L308
 L315



20(3)A 250V ~ T85 5E4

SCALE FULL

DO NOT SCALE PRINT

UNLESS OTHERWISE SPECIFIED
 DIMENSIONS ARE IN INCHES
TOLERANCES ARE:
 ONE PLACE (.0) ±.030
 TWO PLACE (.00) ±.015
 THREE PLACE (.000) ±.005
 ANGLES ±

WEIGHT

FORMTEK

FO-50378

DRAWN

D A W 12 JAN 62 CHECK GCH 12 JAN 62